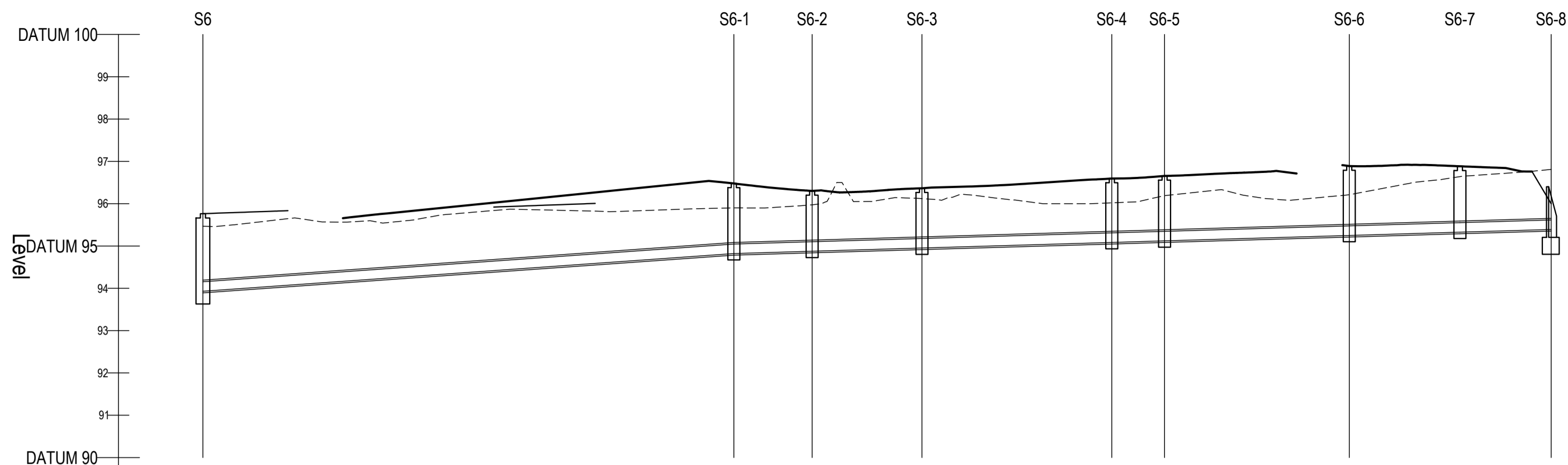
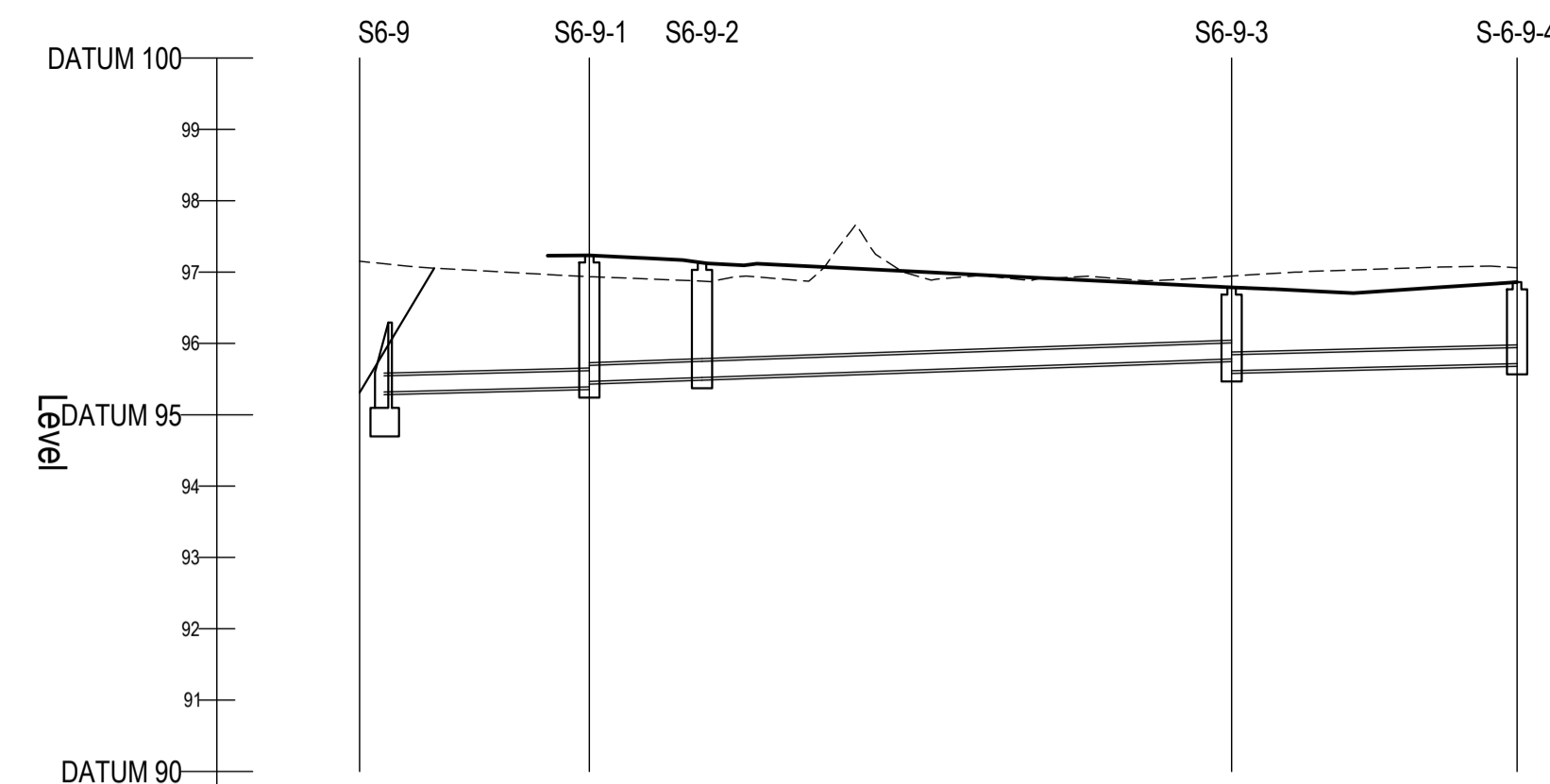


SCALE: H 1:500,V 1:100. DATUM: 90.000



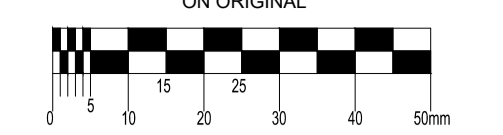
COVER LEVEL		95.792											
INVERT LEVEL		93.929	94.821	94.821	94.876	94.876	94.952	94.952	95.084	95.084	95.121	95.249	95.249
DEPTH (m)		1.863	1.657	1.426	1.412	1.510	1.535	1.639	1.568	1.558	1.663	1.663	1.663
DISTANCE (m)			62.81	9.26	13.00	22.46	6.24	21.85	13.09	10.79			
PIPE SLOPE			1:170	1:170	1:170	1:170	1:170	1:170	1:170	1:170	1:170		
PIPE SIZE			225mm	225mm	225mm	225mm	225mm	225mm	225mm	225mm			

SCALE: H 1:500,V 1:100. DATUM: 90.000



COVER LEVEL			95.982										
INVERT LEVEL			95.319	95.391	95.467	95.522	95.522	97.131	96.322	96.016	96.785	96.716	96.889
DEPTH (m)			0.701	1.844	1.609	1.609	1.609	1.609	1.169	1.169	1.169	1.143	1.143
DISTANCE (m)				14.38	7.89			37.11			20.00		
PIPE SLOPE			1:200	1:200	1:143	1:143	1:143	1:200	1:200	1:200	1:200	1:200	1:200
PIPE SIZE			225mm	225mm	225mm	225mm	225mm	225mm	225mm	225mm	225mm	225mm	225mm

ON ORIGINAL

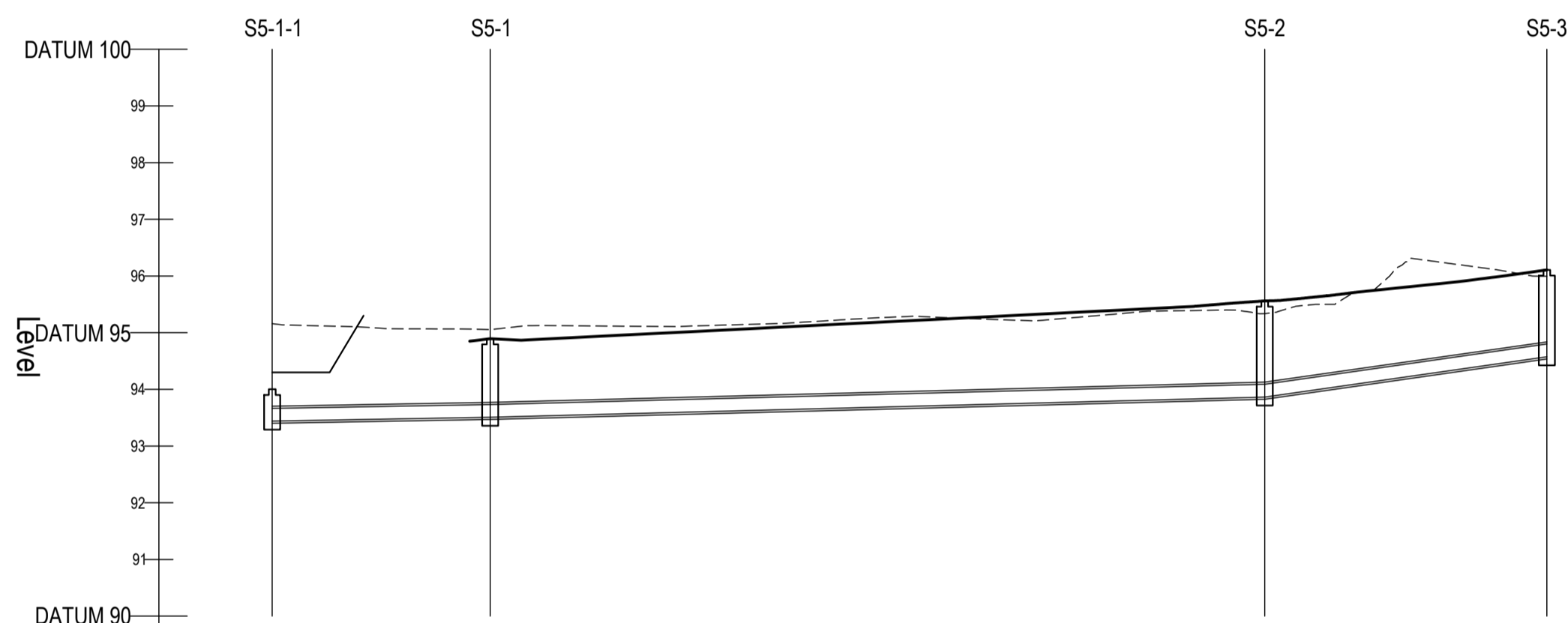


© COPYRIGHT OF THIS DRAWING IS RESERVED BY DBFL CONSULTING ENGINEERS. NO PART SHALL BE REPRODUCED OR TRANSMITTED WITHOUT THEIR WRITTEN PERMISSION.

NO CHANGES OF WHATSOEVER NATURE ARE TO BE MADE TO ANY DETAILS SET OUT OR CONTAINED IN ANY DBFL SPECIFICATIONS OR DRAWINGS UNLESS THE EXPRESS CONSENT HAS BEEN OBTAINED IN ADVANCE, IN WRITING, FROM DBFL.

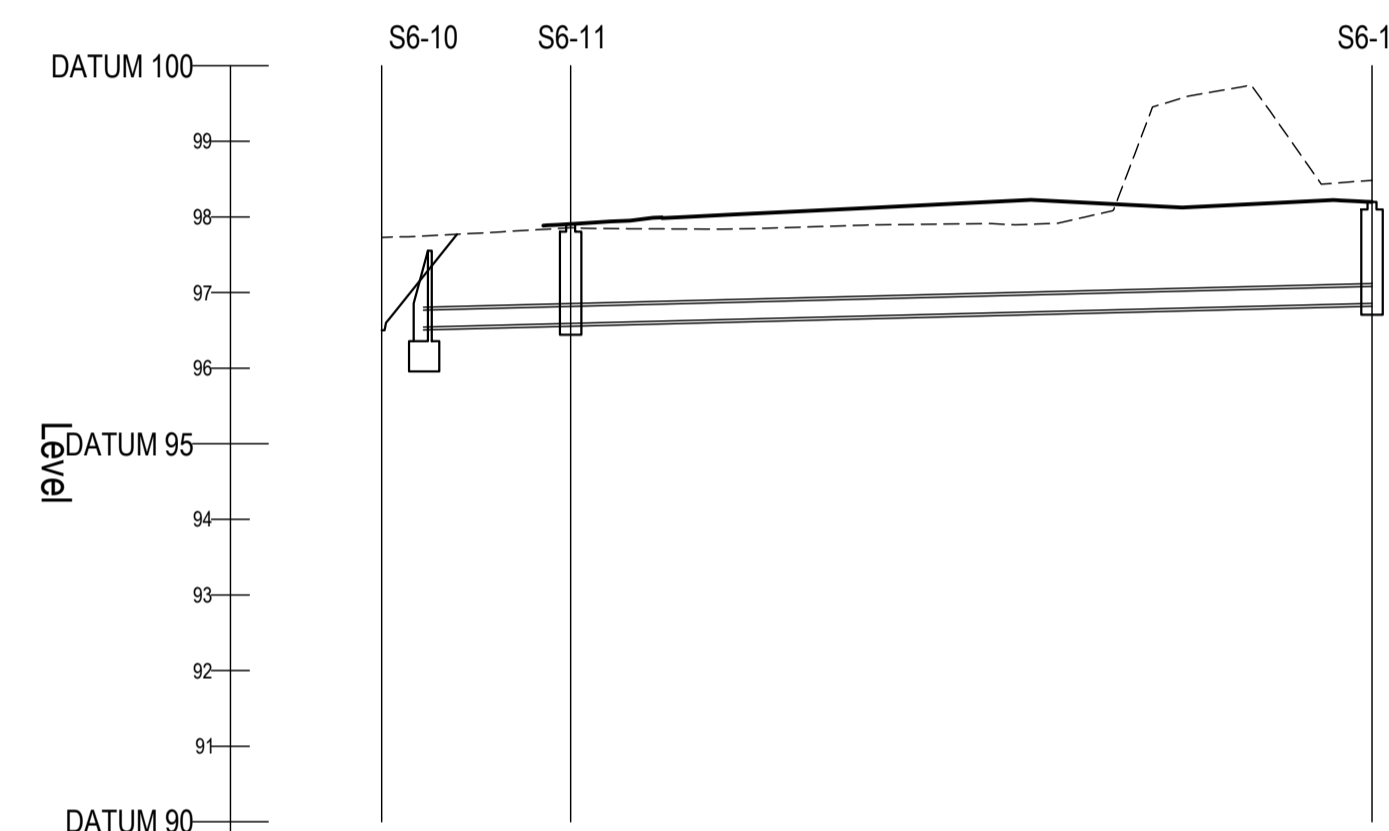
- NOTES:
- ALL DRAWINGS TO BE CHECKED BY CONTRACTOR ON SITE AND ENGINEER INFORMED OF DISCREPANCIES BEFORE WORK COMMENCES
 - ALL LEVELS ARE IN METRES AND ARE RELATED TO ORDNANCE DATUM
 - CONTRACTOR SHALL SATISFY HIMSELF AS TO THE ACCURACY OF PAVEMENT LEVELS ON SITE PRIOR TO COMMENCEMENT OF WORKS ON SITE
 - ALL WORKS TO BE CONSTRUCTED IN ACCORDANCE WITH THE NRA SPECIFICATION FOR ROAD WORKS UNLESS NOTED OTHERWISE
 - THIS DRAWING IS FOR PLANNING PURPOSES ONLY
 - MANHOLE COVER LEVELS ARE TO CONFORM WITH FINISHED ROAD AND PATH LEVELS
 - WHERE COVER TO PIPE IS LESS THAN 100mm (ROAD/PATH/VERGE) OR 900mm (OPEN SPACE) SURROUND PIPE IN MINIMUM 150mm CONCRETE

SCALE: H 1:500,V 1:100. DATUM: 90.000



COVER LEVEL		94.002											
INVERT LEVEL		93.439	93.508	93.508	93.864	93.864	94.560	94.560	94.575	94.575	96.108	96.108	96.108
DEPTH (m)		0.563	1.387	1.387	1.686	1.686	1.533	1.533	1.533	1.533	1.533	1.533	1.533
DISTANCE (m)			19.22		68.32		24.88						
PIPE SLOPE			1:279		1:192		1:35						
PIPE SIZE			225mm		225mm		225mm						

SCALE: H 1:500,V 1:100. DATUM: 90.000

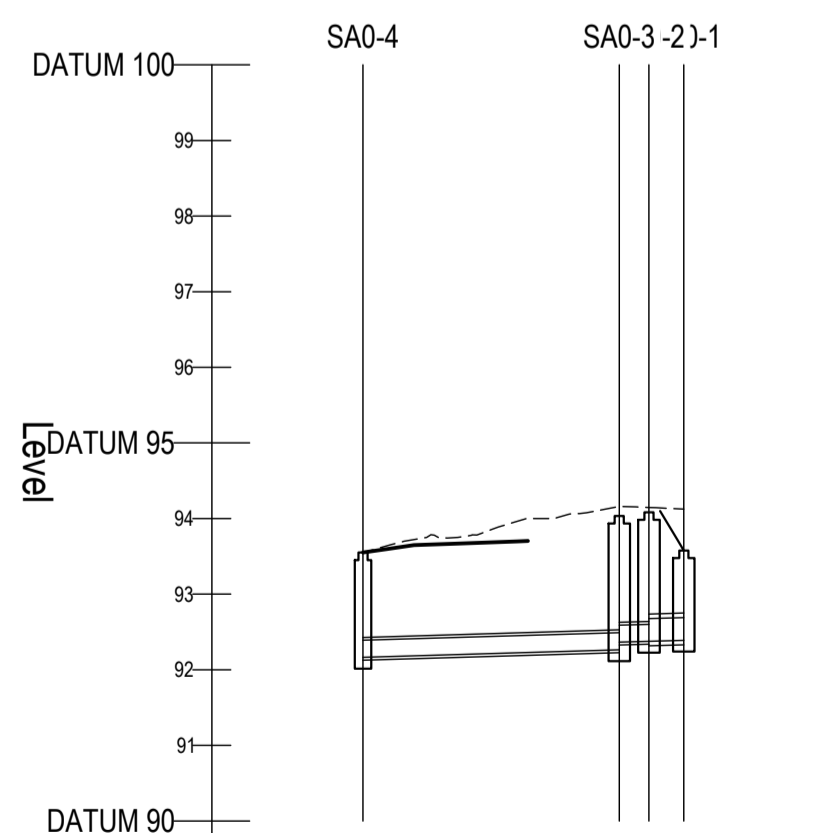


COVER LEVEL			97.216										
INVERT LEVEL			95.542	95.591	95.591	97.365	97.365	97.365	96.855	96.855	96.855	96.855	96.855
DEPTH (m)			1.673	1.514	1.514	1.342	1.342	1.342	1.342	1.342	1.342	1.342	1.342
DISTANCE (m)			9.74			53.00							
PIPE SLOPE			1:200			1:200							
PIPE SIZE			225mm			225mm							

KEY

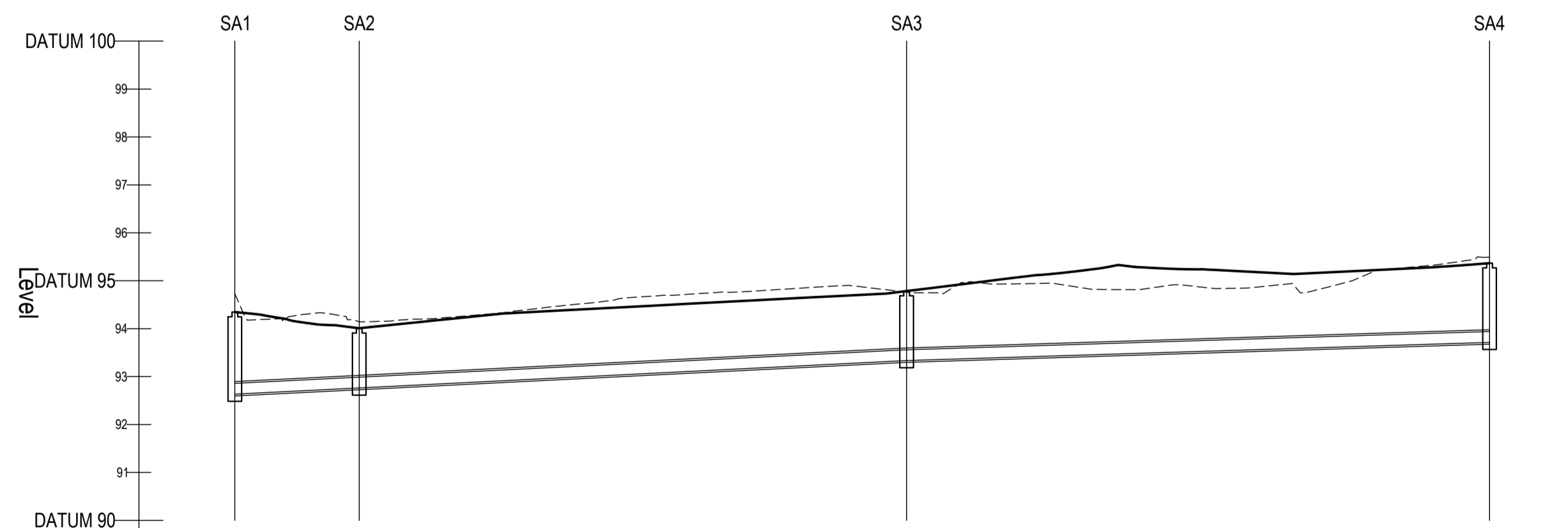
--- EXISTING GROUND PROFILE
 --- PROPOSED GROUND PROFILE

SCALE: H 1:500,V 1:100. DATUM: 90.000



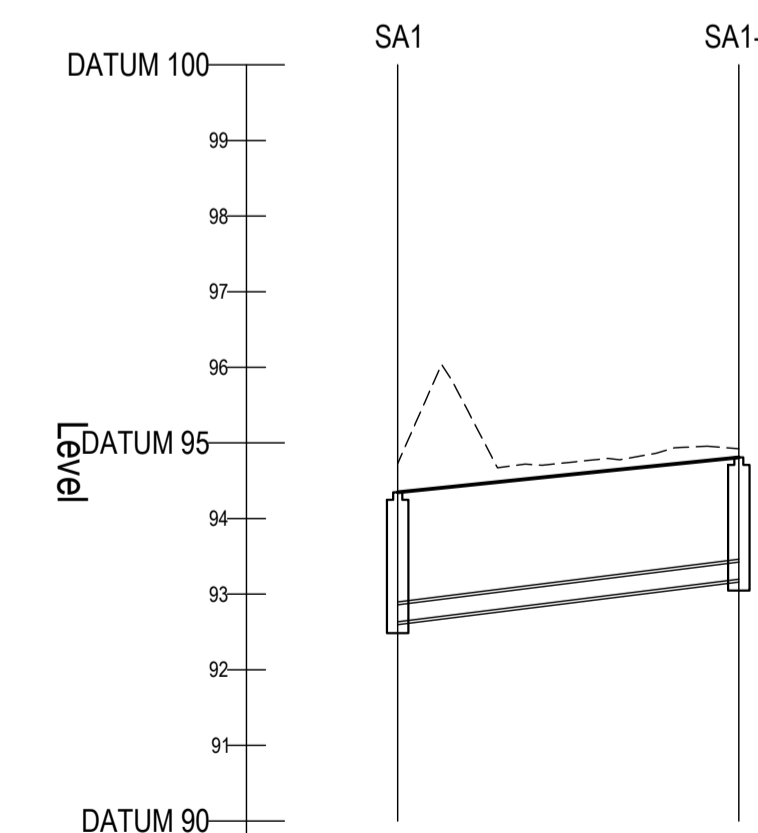
COVER LEVEL		93.551											
INVERT LEVEL		92.165	92.265	92.265	92.265	92.265	92.265	92.265	92.265	92.265	92.265	92.265	92.265
DEPTH (m)		1.386	1.170	1.170	1.170	1.170	1.170	1.170	1.170	1.170	1.170	1.170	1.170
DISTANCE (m)			16.95		972.31								
PIPE SLOPE			1:170		1:170		1:170						
PIPE SIZE			225mm		225mm		225mm						

SCALE: H 1:500,V 1:100. DATUM: 90.000



COVER LEVEL		94.248											
INVERT LEVEL		92.634	92.784	92.784	92.784	93.335	93.335	94.785	93.335	93.335	93.715	95.388	95.388
DEPTH (m)		1.713	1.245	1.245	1.245	1.460	1.460	1.460	1.460	1.460	1.633	1.633	1.633
DISTANCE (m)			12.97			57.10		60.80					
PIPE SLOPE			1:100			1:100		1:160					
PIPE SIZE			225mm			225mm		225mm					

SCALE: H 1:500,V 1:100. DATUM: 90.000



COVER LEVEL		94.248											
INVERT LEVEL		92.634	93.198	93.198	93.198	93.198	93.198	94.809	93.198	93.198	93.198	93.198	93.198
DEPTH (m)		1.713	1.611	1.611	1.611	1.611	1.611	1.611	1.611	1.611	1.611	1.611	1.611
DISTANCE (m)			22.56										
PIPE SLOPE			1:40										
PIPE SIZE			225mm										

P01	13/06/22	STAGE 3 SHD		PJC	NGC
rev	date	description		by	chkd.
		A - Approved			
		B - Approved with comments			
		C - Do not use			

suitability S2 - INFORMATION issue purpose PLANNING

DBFL Consulting Engineers
 Civil, Structural & Transportation Engineering
 www.dbfl.ie

DUBLIN OFFICE: Ormond House, Upper Ormond Quay, Dublin 7, D07 W704
 PHONE: +353 1 450 4000
 CORK OFFICE: 14 South Mall, Cork, T12 CT91
 PHONE: +353 21 2024538
 WATERFORD OFFICE: Suite 10 The Atrium, Maritime Gate, Canada Street, Waterford, X91 W028
 PHONE: +353 51 309 500

project ref. NEWCASTLE SOUTH

drawing title SURFACE WATER LONGITUDINAL SECTIONS SHEET 2

client CAIRN HOMES PROPERTIES LTD

designed by	author	scale	sheet size
NGC	PJC	H: 1:500 V: 1:100	A1
drawing no.	revision		
210026-DBFL-CS-SP-DR-C-3202	P01		